

Sample DWPI Research Disclosure Record

0015815014

WPI Acc no: 2006-371072/

XRPX Acc No: N2006-313264

Protective sleeve for use in connection of steel fuel nut and steel tubing has opening for snapping onto steel tubing threaded through center of steel nut, to attach sleeve onto tubing to prevent contact between steel tubing and steel nut

Patent Assignee: ANONYMOUS (ANON)

Patent Family (1 patents, 1 countries)

Patent Number	Kind	Date	Application Number	Kind	Date	Update	Type
RD 505101	A	20060510	RD 2006505101	A	20060510	200638	B

Priority Applications (no., kind, date): RD 2006505101 A 20060510

Patent Details

Patent Number	Kind	Lan	Pgs	Draw	Filing Notes
RD 505101	A	EN	2	2	

Alerting Abstract RD A

NOVELTY - The protective sleeve (102) includes an opening (104) for snapping onto a steel tubing (101) threaded through the center of a steel nut (100), to attach the sleeve onto the tubing so that a contact between the tubing and the nut can be prevented.

USE - For use in connection of steel fuel nut and steel fuel tubing used in engine.

ADVANTAGE - Abrasive wear of tubing by nut due to engine vibration can be prevented since sleeve is placed between nut and tubing, hence reducing maintenance time and repair cost.

DESCRIPTION OF DRAWINGS - The figure shows the protective sleeve and nut on steel tubing in non-attachment state of sleeve.

100 Steel nut

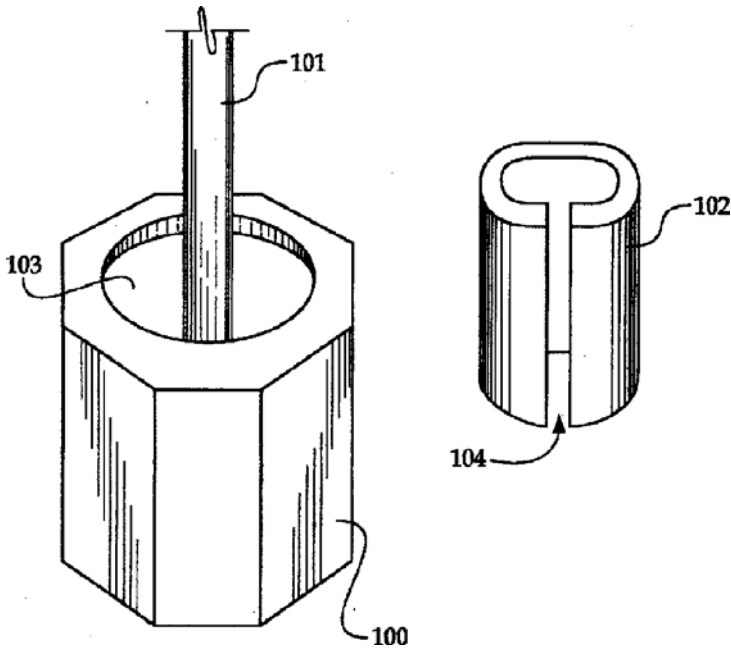
101 Steel tubing

102 Protective sleeve

103 Internal diameter of nut

104 Opening

Main Drawing Sheet(s) or Clipped Structure(s)



Class Codes

International Patent Classification (Current)

IPC	Class Level	Scope	Position	Level	Version Date
F16B	S	I	F	R	20060101

File Segment: EngPI

DWPI Class: Q61

Original Publication Data by Authority

Research Disclosure

Publication No. RD 505101 A (Update 200638 B)

Publication Date: 20060510

Assignee: ANONYMOUS (ANON)

Language: EN (2 pages, 2 drawings)

Application: RD 2006505101 A 20060510 (Local application)

Original IPC: F16B(R,I,99,20060101,S,F)

Current IPC: F16B(R,I,99,20060101,S,F)

Research Disclosures © Kenneth Mason Publications Limited 2006

www.researchdisclosures.com

